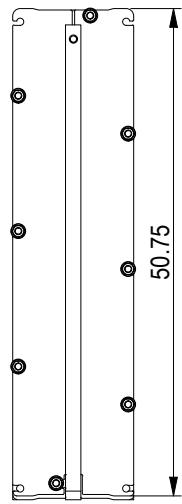
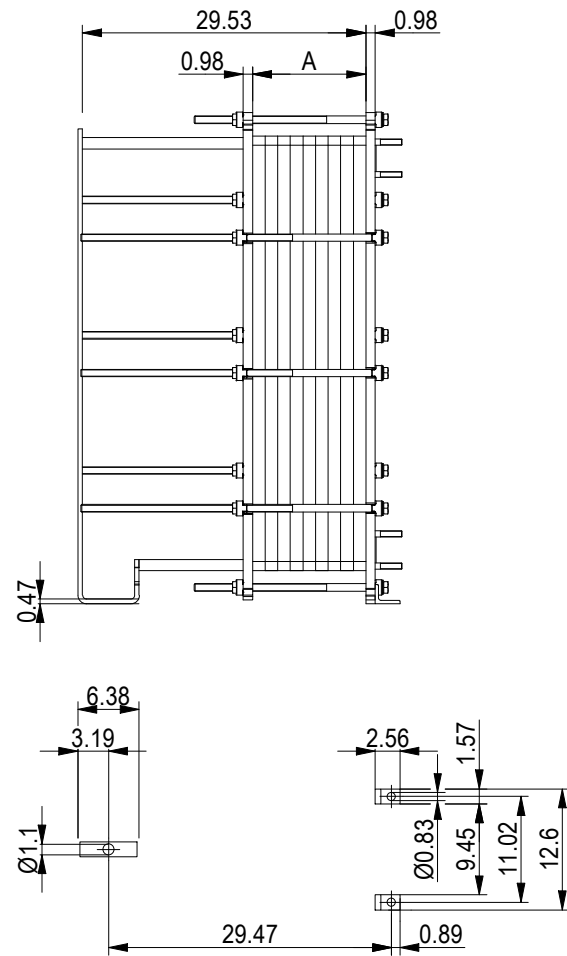


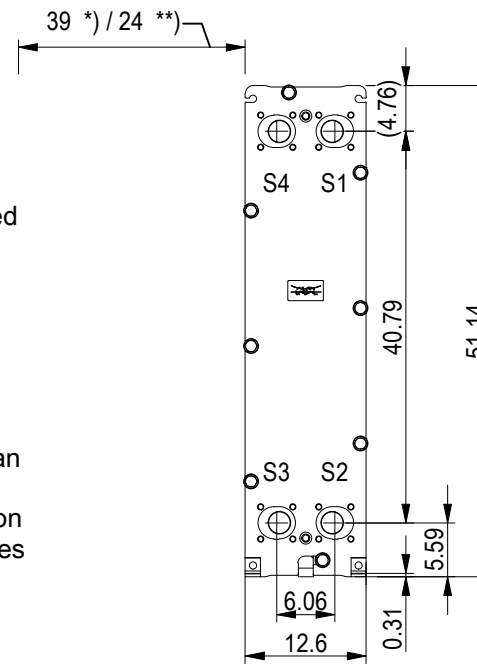
PRESSURE PLATE
(MOVABLE)



Space between pressure plate and supporting column should be kept free from fixed installations!



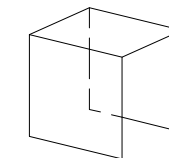
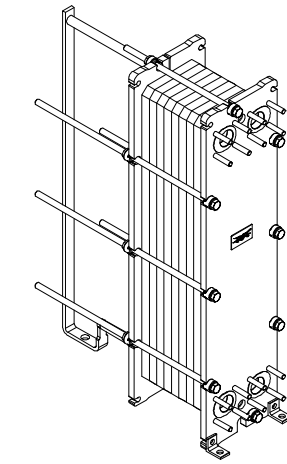
FRAME PLATE



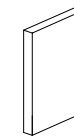
*) Recommended free space for opening and closing to be applied on both sides

**) Free space can be reduced to this distance on one of the sides

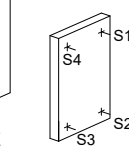
All dimensions in inches



PROTECTION SHEET

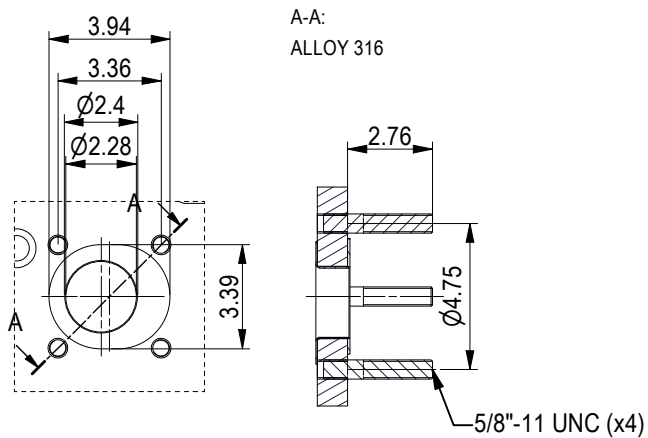


PRESSURE PLATE



FRAME PLATE

ASME B16.5 Class 150 NPS 2
S1, S2, S3, S4



NO. OF UNITS 1

null GPM
null GPM

APPROX. OUTER DIMENSIONS

LENGTH 34.6 in
WIDTH 13.0 in
HEIGHT 51.6 in

APPROX. WEIGHTS

NET WEIGHT, EMPTY 665 lb
WEIGHT FULL OF WATER 757 lb
PLATE MATERIAL ALLOY 316
PLATE THICKNESS 0.5 mm
GASKET NBRP Clip-on

CHANNEL ARRANGEMENT 1*49 MH
/ 1*50 ML



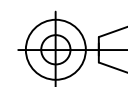
www.alfalaval.com

DRAWING
GASKETED PLATE HEAT EXCHANGER

TL6-BFG

ASME
Code Section VIII Div.1

MAWP 150 psi at 150.1 °F
MDMT 32.0 °F at 150 psi
Designed and constructed in accordance with the 2019 ASME Code.



8240153002
TL6-BFG, 100 plates

Do not use this drawing for foundation bolting or piping layout

DATE 5/2/22
REVISION 0